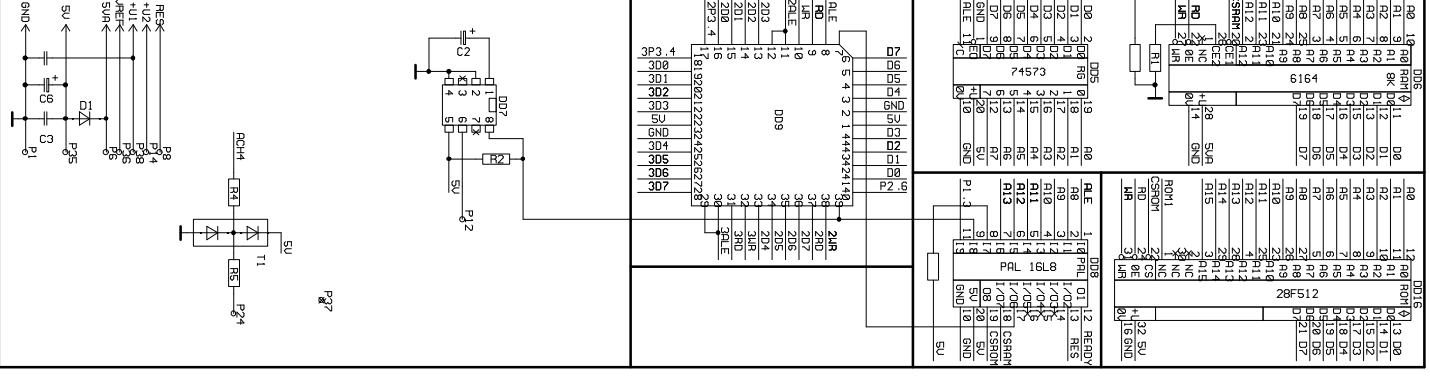
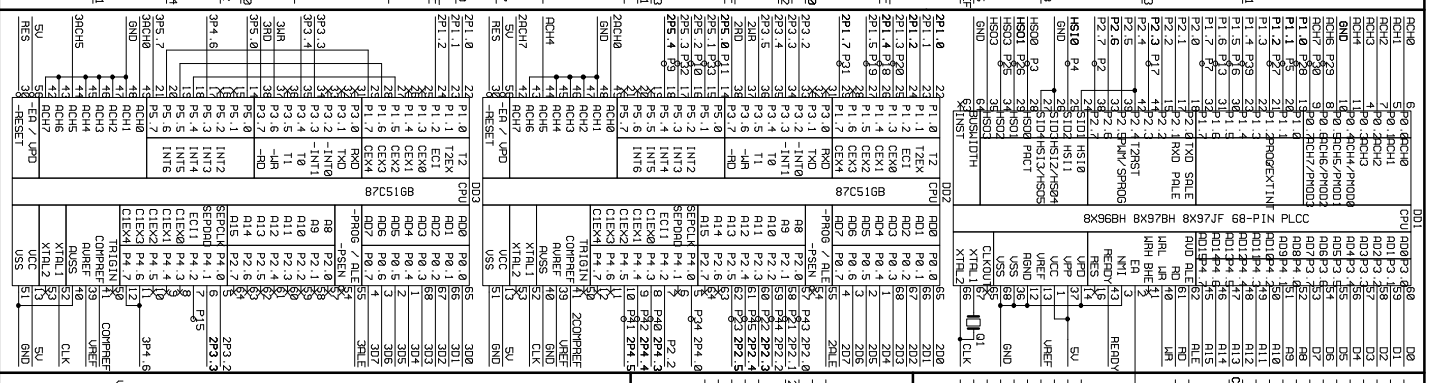
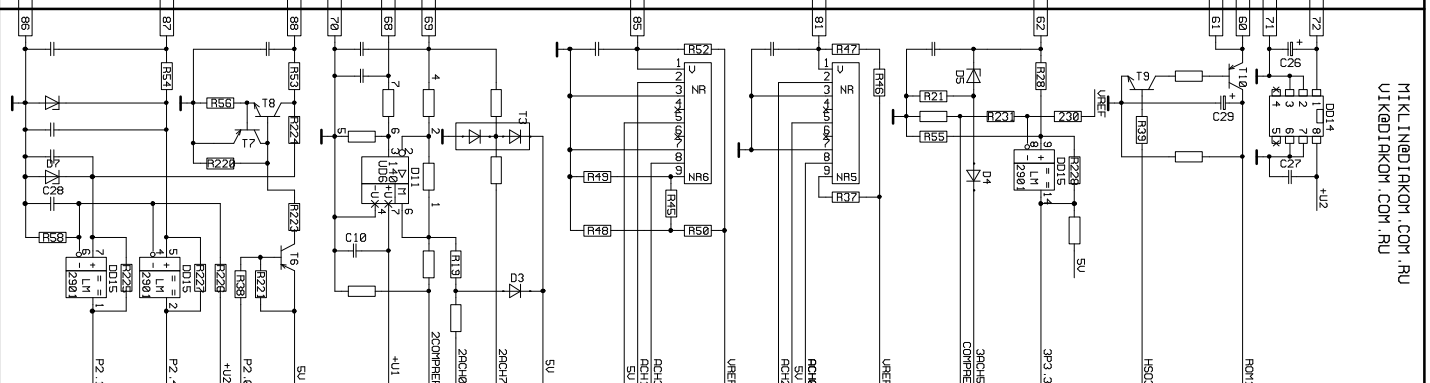
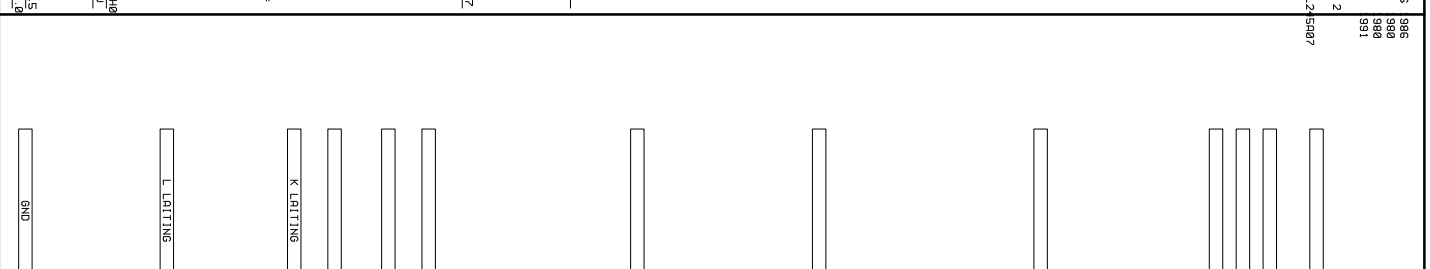
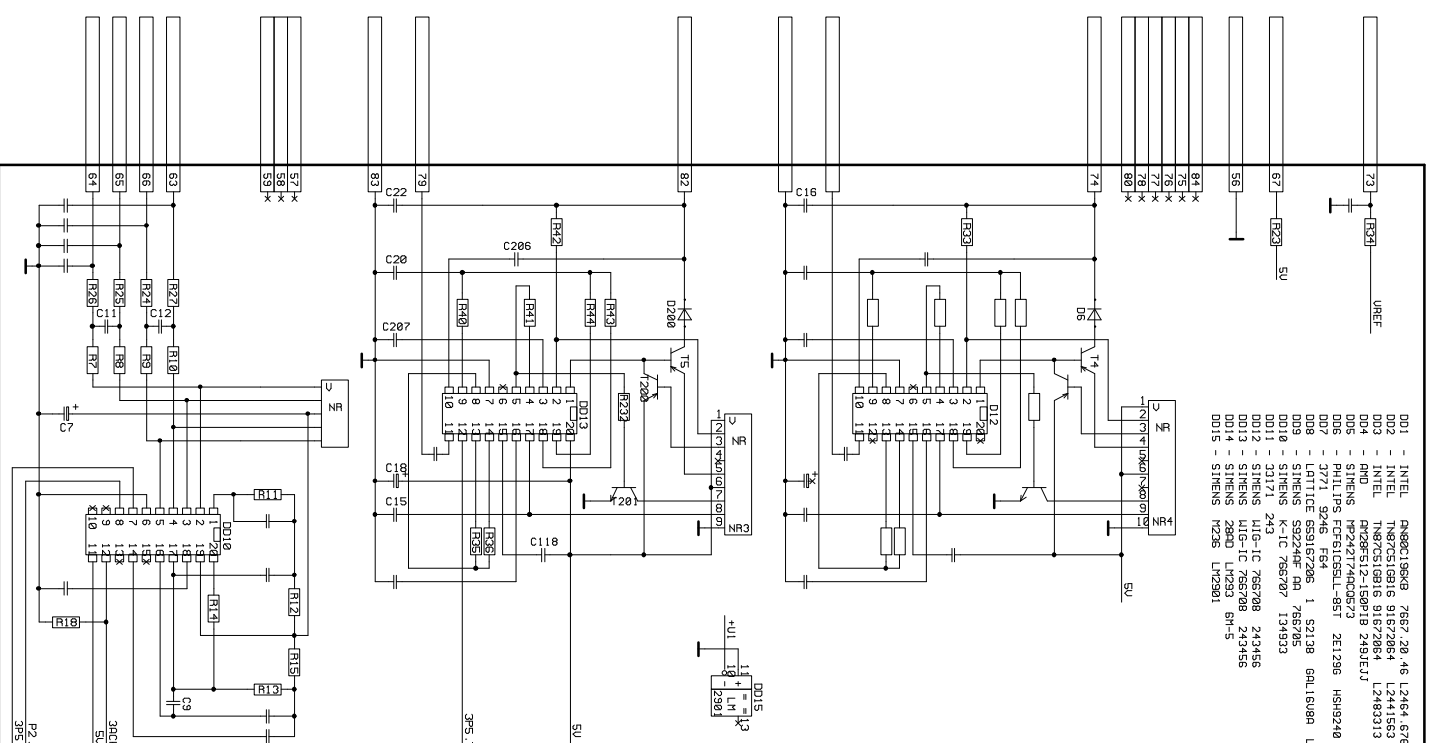


- 001 - INTEL A86C196K8 7667 20.46 L2464 676 986
- 002 - INTEL N82C51GB16 91622864 L2441533 980
- 003 - INTEL N82C51GB16 91622864 L2463313 981
- 004 - AMD P428512-150P18 2491EU
- 005 - PHILIPS FC651DSSL9551 2E1236 H5H240 2
- 007 - 3771 9246 F64
- 008 - LATTICE 6591652206 1 52138 GAL16U8A L25007
- 009 - SIMENS S5224HF CA 766705
- 010 - SIMENS K-1C 766707 134933
- 011 - SITA Z456-1C 766708 243456
- 012 - SITA Z456-1C 766708 243456
- 013 - SIMENS 28D0 LP293 8H-5
- 014 - SIMENS 28D0 LP293 8H-5
- 015 - SIMENS 4236 LP2901



Chip	Manufacturer	Part Number	Memory Size	Speed	Package
001	INTEL	A86C196K8	20.46	676	986
002	INTEL	N82C51GB16	91622864	L2441533	980
003	INTEL	N82C51GB16	91622864	L2463313	981
004	AMD	P428512-150P18	2491EU		
005	PHILIPS	FC651DSSL9551	2E1236	H5H240	2
007		3771 9246	F64		
008	LATTICE	6591652206	1	52138	GAL16U8A L25007
009	SIMENS	S5224HF	CA	766705	
010	SIMENS	K-1C	766707	134933	
011	SITA	Z456-1C	766708	243456	
012	SITA	Z456-1C	766708	243456	
013	SIMENS	28D0	LP293	8H-5	
014	SIMENS	28D0	LP293	8H-5	
015	SIMENS	4236	LP2901		